

## GS/G RA 25S2 800X525

Galvanised hand pallet truck (2.500 kg)



### MR HYDRO

Mr. Hydro series, which is available in numerous versions, is the ideal tool to handle loads in humid and damp conditions. In particular the "inox" version is suitable for environments where high hygienic standards are enforced, such as the chemical, pharmaceutical or food & beverage industry.



### GS/G

The galvanised pallet truck offers good resistance to corrosion thanks to the hot dip galvanizing process of the frame and the handle.



### ANTI RUST COATING HYDRAULIC PUMP

Resistant and reliable one piece cast iron pump with GEOMET® surface coating treatment to prevent rust pitting and corrosion damages.

Worked with numerical control machine, it includes:

- **MAXIMUM PRESSURE VALVE:** safety device that ensures the transpallet against overloads. When the pressure inside the hydraulic circuit exceeds the calibration value according to the maximum nominal flow, the valve automatically locks the forks.
- **PROPORTIONAL LOWERING VALVE:** lowering speed can be proportionally controlled according to the lever position on the tiller. Perfect working tool to carry fragile and delicate loads like crystal, glass and ceramics.



### STANDARD CONFIGURATION

- Nylon steering wheels
- Nylon rollers
- 2 Curves handle with all the controls (lowering / drive position / lifting) available in a single lever for simple and safe control
- Entry/exit rollers. Supplementary rollers allow easier entrance and quicker exit from a closed pallet, reducing the impact on main rollers and guaranteeing longer life



## Descriere

|   |   |    |          |
|---|---|----|----------|
| 1.1 Producător                                  |   |    | LIFTER   |
| 1.3 Comandă                                     |   |    | Manual   |
| 1.4 Poziție operare                             |   |    | Pedestru |
| 1.5 Capacitate maximă                           | Q | Kg | 2500     |
| 1.6 Distanța la centrul de aplicare al sarcinii | c | mm | 400      |
| 1.8 Sarcina de la osie la capătul furcilor      | x | mm | 582      |
| 1.9 Ampatament                                  | y | mm | 842      |

## Greutăți

|                                      |  |    |      |
|--------------------------------------|--|----|------|
| 2.1 Greutate de operare              |  | Kg | 55   |
| 2.2 Sarcină osie, încărcare pe spate |  | Kg | 1791 |
| 2.2 Sarcină osie, încărcare pe față  |  | Kg | 764  |
| 2.3 Sarcină osie, liber spate        |  | Kg | 16   |
| 2.3 Sarcină osie, liber față         |  | Kg | 39   |

## Cauciucuri/Șasiuri

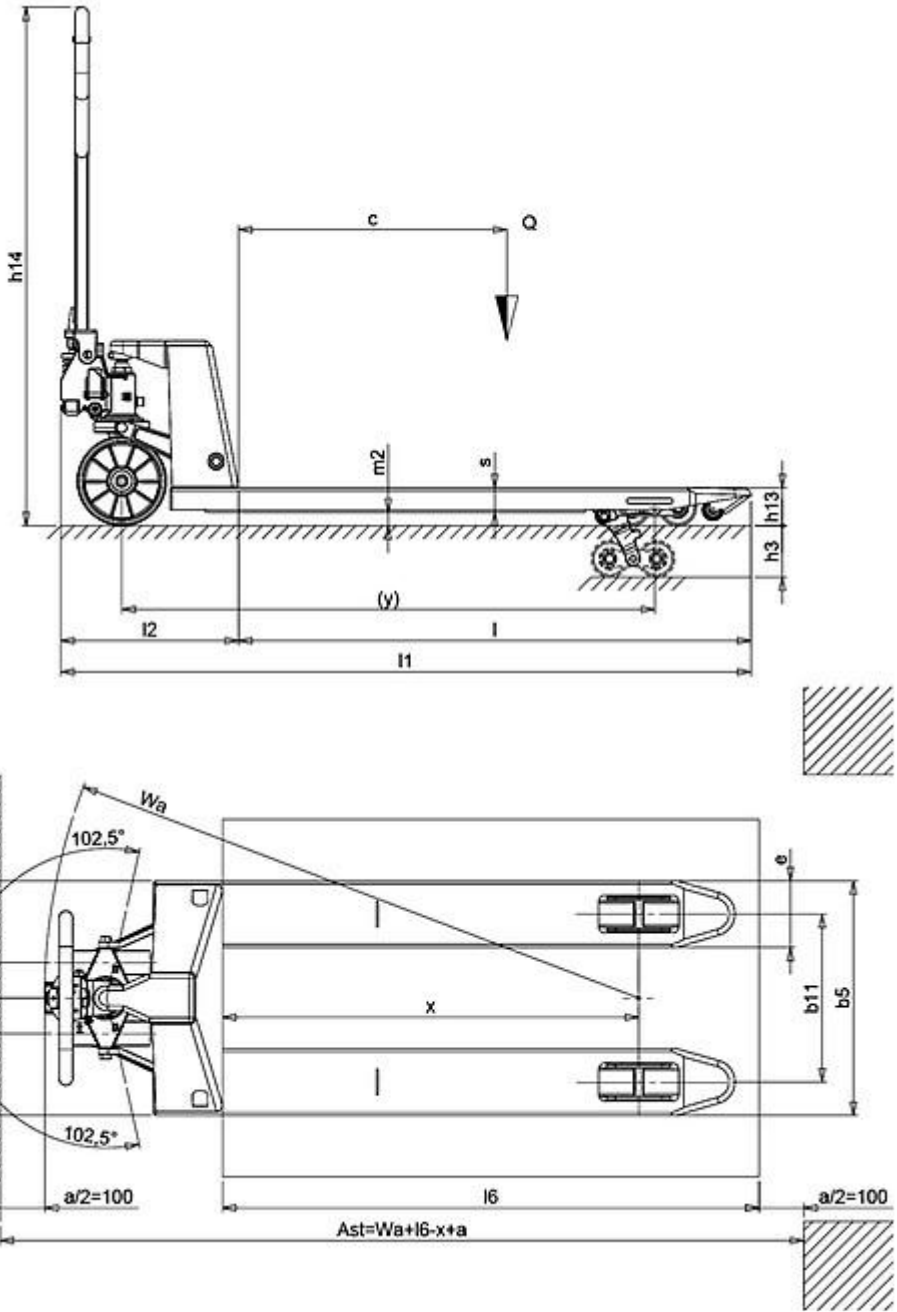
|  |     |    |       |
|--|-----|----|-------|
| 3.1 Cauciucuri: roți direcție                        |     |    | NYLON |
| 3.1 Cauciucuri: transportoare cu role                |     |    | NYLON |
| 3.2 Mărime cauciuc: roți direcție - Diametru         |     | mm | 200   |
| 3.2 Mărime cauciuc: roți direcție - Lățime           |     | mm | 50    |
| 3.3 Mărime cauciuc: transportoare cu role - Diametru |     | mm | 82    |
| 3.3 Mărime cauciuc: transportoare cu role - Lățime   |     | mm | 82    |
| 3.5 Dimensiune cauciuc: roți spate                   |     | nr | 2     |
| 3.5 Ax de echilibru spate                            |     |    | No    |
| 3.6 Ecartament, față                                 | b10 | mm | 155   |
| 3.7 Ecartament, spate                                | b11 | mm | 375   |

## Dimensiuni

|   |     |    |      |
|---|-----|----|------|
| 4.4 Înălțime stivuitor                              | h3  | mm | 115  |
| 4.9 Înălțime manetă în poziția de deplasare, max    | h14 | mm | 1160 |
| 4.15 Înălțime, coborât                              | h13 | mm | 85   |
| 4.19 Lungime globală                                | l1  | mm | 1200 |
| 4.20 Distanța până la suprafața frontală a furcilor | l2  | mm | 400  |
| 4.21 Lățime globală                                 | b1  | mm | 525  |
| 4.22 Dimensiuni furcă - grosime                     | s   | mm | 55   |
| 4.22 Dimensiuni furcă - Lățime                      | e   | mm | 150  |
| 4.22 Dimensiuni furcă - Lungime                     | l   | mm | 800  |
| 4.25 Distanța între furci                           | b5  | mm | 525  |
| 4.32 Gardă la sol și mijloc ampatament              | m2  | mm | 30   |
| 4.34 Lățime culoar                                  | Ast | mm | 1435 |
| 4.35 Rază de virare                                 | Wa  | mm | 1017 |

## Performante

|                                   |         |  |    |
|-----------------------------------|---------|--|----|
| 5.2 Viteză de ridicare, încărcat  | strokes |  | 13 |
| 5.2 Viteză de ridicare, descărcat | strokes |  | 13 |



The information is aligned with the Data file at the time of download. Printed on 24/02/2020 (ID 592)

©2019 | PR INDUSTRIAL s.r.l. | All rights reserved | Image shown may not reflect actual package. Specifications subject to change without notice

